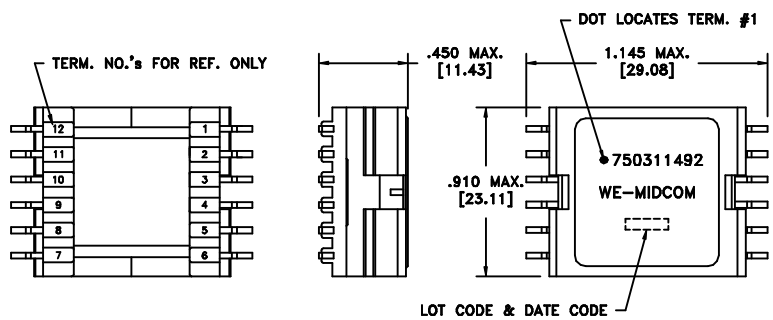
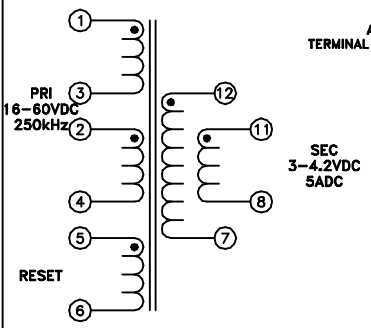


CUSTOMER TERMINAL	RoHS	LEAD(Pb)-FREE
Sn96%, Ag4%	Yes	Yes

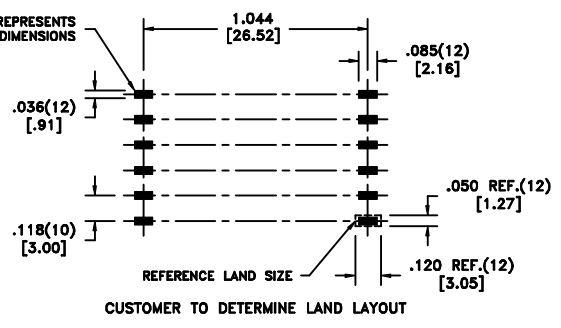
more than you expect



LOT CODE & DATE CODE



Customer to tie terminals 2+3, 7+8 and 11+12 internally on PC board.



ELECTRICAL SPECIFICATIONS @ 25°C unless otherwise noted:

PARAMETER	TEST CONDITIONS	VALUE
D.C. RESISTANCE	1-4 tie(2+3), @20°C	0.059 ohms ±20%
D.C. RESISTANCE	5-6 @20°C	0.455 ohms ±20%
D.C. RESISTANCE	12-7 @20°C	0.025 ohms ±20%
D.C. RESISTANCE	11-8 @20°C	0.025 ohms ±20%
INDUCTANCE	1-4 tie(2+3), 100kHz, 100mVAC, Ls	380uH min.
LEAKAGE INDUCTANCE	1-4 tie(2+3, 7+8+11+12), 100kHz, 100mVAC, Ls	2uH max.
DIELECTRIC	1-12 tie(2+3, 4+5, 11+12), 1875VAC, 1 second	1500VAC, 1 minute
URNS RATIO	(1-4):(5-8), tie(2+3)	1:1, ±2%
URNS RATIO	(1-4):(12-7), tie(2+3)	3.5:1, ±2%
URNS RATIO	(1-4):(11-8), tie(2+3)	3.5:1, ±2%

GENERAL SPECIFICATIONS:

OPERATING TEMPERATURE RANGE: -40°C to +125°C including temp rise.

DETAILS SUBJECT TO CHANGE

REV.	DATE	Packaging Specifications Method: Tape & Reel PKG-0647 www.we-online.com/midcom		Tolerances unless otherwise specified: Angles: ±1° Fractions: ±1/64 Decimals: ±.005 [.13] Footprint: ±.005 [.13]	DRAWING TITLE TRANSFORMER	PART NO. 750311492
6B	6/10	SEE REVISION SHEET FOR REVISION LEVEL		This drawing is dual dimensioned. Dimensions in brackets are in millimeters.	eiSos p/n: 750311492	SPECIFICATION SHEET 1 OF 1
6A	3/10					

