

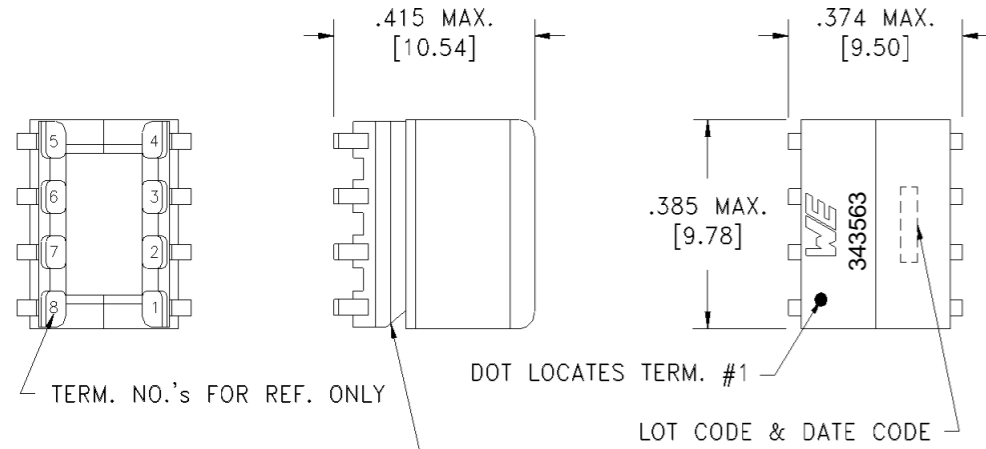
CUSTOMER TERMINAL	RoHS	LEAD(Pb)--FREE
Sn 96%, Ag 4%	Yes	Yes

more than you expect



ELECTRICAL SPECIFICATIONS @ 25° C unless otherwise noted:

PARAMETER	TEST CONDITIONS	VALUE
D.C. RESISTANCE	1-2 @20°C	0.62 ohms max.
D.C. RESISTANCE	3-4 @20°C	0.62 ohms max.
D.C. RESISTANCE	5-6 @20°C	0.685 ohms max.
D.C. RESISTANCE	7-8 @20°C	0.685 ohms max.
INDUCTANCE	1-2 10kHz, 100mV, Ls	400.00µH min.
DIELECTRIC	1-5 tie(1+3,6+8), 625VAC, 1 second	-
URNS RATIO	(1-2):(3-4)	1:1, ±1%
URNS RATIO	(1-2):(6-5)	1:1, ±1%
URNS RATIO	(1-2):(8-7)	1:1, ±1%

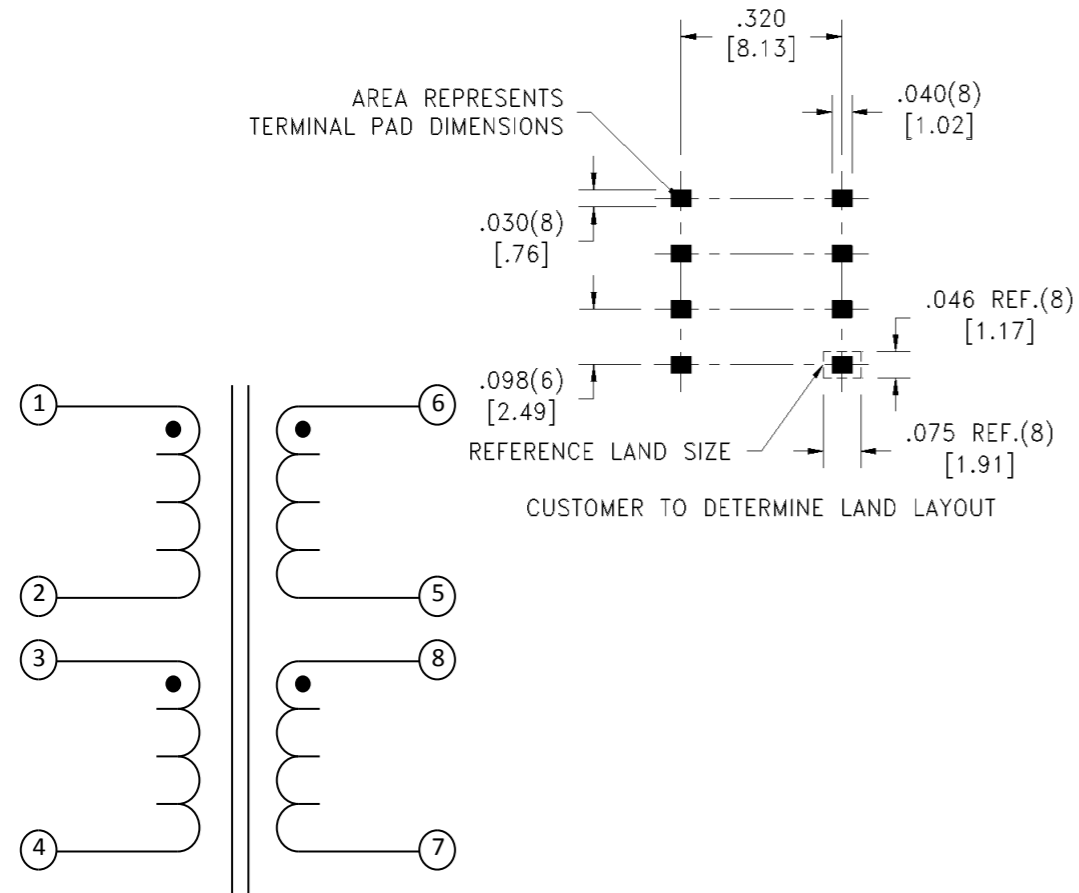


TERM. NO.'s FOR REF. ONLY

DOT LOCATES TERM. #1

LOT CODE & DATE CODE

CHAMFERS LOCATE TERM.'s #1 & 8



AREA REPRESENTS TERMINAL PAD DIMENSIONS

REFERENCE LAND SIZE

CUSTOMER TO DETERMINE LAND LAYOUT

GENERAL SPECIFICATIONS:

OPERATING TEMPERATURE RANGE: -40°C to +125°C including temp rise.

Wire insulation & RoHS status not affected by wire color. Wire insulation color may vary depending on availability.

DFM		Packaging Specifications		Tolerances unless otherwise specified:	DRAWING TITLE	PART NO.
DATE		Method: Tape & Reel		Angles: ±1° Decimals: ±.005 [.13]		
ENG	HZH	PKG-0410	Fractions: ±1/64 Footprint: ±.001 [.03]	This drawing is dual dimensioned. Dimensions in brackets are in millimeters.	SPECIFICATION SHEET 1 OF 1	
REV.	00					
DATE	4/25/2017	www.we-online.com/midcom				